

HOW TO ORDER

LD400 Solaris:

- 2010630 **LD400 Solaris** - Solaris LED directional light (right side), (5) LEDs, blue light, blue lens, cruise light, swivel mount, 12V UN R65 approved Class 1.
- 2010631 **LD400 Solaris** - Solaris LED directional light (left side), (5) LEDs, blue light, blue lens, cruise light, swivel mount, 12V UN R65 approved Class 1.
- 2010644 **LD400 Solaris** - Solaris LED directional light (right side), (5) LEDs, red light, red lens, cruise light, swivel mount, 12V.
- 2010645 **LD400 Solaris** - Solaris LED directional light (left side), (5) LEDs, red light, red lens, cruise light, swivel mount, 12V.
- 2010642 **LD400 Solaris** - Solaris LED directional light (right side), (5) LEDs, amber light, amber lens, cruise light, swivel mount, 12V.
- 2010643 **LD400 Solaris** - Solaris LED directional light (left side), (5) LEDs, amber light, amber lens, cruise light, swivel mount, 12V.

LD410 Solaris:

- 2010632 **LD410 Solaris** - Solaris LED directional light (right side), (4) LEDs blue light and (1) LED red light "Stop Light" function, swivel mount, 12V.
- 2010633 **LD410 Solaris** - Solaris LED directional light (left side), (4) LEDs blue light and (1) LED red light "Stop Light" function, swivel mount, 12V.

LD400/LD410 Solaris Mount Accesory:

- 82441524-03 **LD400-CBLDO** - Adapter wiring fromr LD350/LD360 to LD400/LD410.

CO400 Solaris:

- 2005388 **CO400 Solaris** - Omnidirectional Solaris LED head, telescopic pole mount in (3) sections, (15) LEDs, blue light, blue spreader lens, cruise light, 12V. UN R65 approved.
- 2005389 **CO400 Solaris** - Omnidirectional Solaris LED head, telescopic pole mount in (3) sections, (15) LEDs, amber light, amber spreader lens, cruise light, 12V. UN R65 approved.
- 2005390 **CO400 Solaris** - Omnidirectional Solaris LED head, telescopic pole mount in (3) sections, (15) LEDs, red light, red spreader lens, cruise light, 12V. UN R65 approved.
- 2005430 **CO421 Solaris** - Omnidirectional Solaris LED head, telescopic pole mount in (2) sections, (15) LEDs, blue light, blue spreader lens, cruise light, 12V. UN R65 approved.

CO400 Solaris Mount Accesory:

- 8216098 **BA-6** - Kit silent blocks telescopic pole, only available for poles in 3 sections.
Recommended applications subjects to vibration, roads with defective surfaces, etc.

MC300 Series:

- 4004233-01 **MC300** - Motorcycle Control allows to control all the functions of lights and siren priority warning lights "Stop Light" function, cruise light and continuous siren.
- 4004352 **MC300A** - Motorcycle Control allows to control all the functions of lights and siren of priority warning lights "Stop Light" function, cruise light, continuous siren and power limiter.

LD400 & CO400 Series

Led Priority Warning Kit for Motorbikes



LD400 / CO400



Federal Signal Vama presents its new **LD400** and **CO400** series, a priority warning LED kit for police motorcycles R-65 approved.

The LD400 Solaris consist on 2 front low profile light heads which distribute the light beam at a horizontal angel of 120 degrees. The revolutionary reflector optical design provides a powerful lighting.

The light source of the **CO400 Solaris** telescopic pole is formed by the brand-new Solaris system.

EASY MAINTAINANCE AND INSTALLATION, there is no need for an external power supply, and all necessary electrical connections are provided.

WATERPROOF HOUSING AND CONNECTOR, IPX9K approved for LD400 LED lights.

LIGHTNESS AND SHOCK RESISTANT thanks to its polycarbonate reflector and lenses and fiberglass support.

LOW AMP DRAW AND LONG LIFE. LED technology assures long warning light life, and helps to reduce vehicle maintenance costs.



LD400 Solaris
LED light



LD410 Solaris
LED light



A 5 LED's Solaris parabolic reflector. Its special optical design reflects strong light beam where it is needed most, enhancing security in a wide area, compared with other similar products.

B Optional "red stop light" for LD410 lights.

CO400 Solaris
Telescopic pole



The Solaris technology means born under the ultimate influence of sun.

A High-efficiency PC board with integrated microprocessor.

B 15 high-luminosity LEDs of the latest generation, integrated in the PC board.

C Parabolic reflector that maximises the luminosity of the LEDs. The light output of the LEDs is reflected in the mirrors and the reflector unit provides an exceptional light beam with superior off-axis warning and eliminates any dark spots.



The LD400/LD410 and CO400 series offers vast configuration possibilities thanks to its built-in flasher:

- Simultaneous flashing of Ld400 front head lights alternating with CO400 telescopic mast.
- Synchronisation of LD400/LD410 head lights and CO400 telescopic pole.
- Cruise light for the whole motorbike kit.



Waterproof connector



MC300 control head

The **MC300** motorbike control head allows easy control of all LD400/LD410 and CO400 functions (priority light and cruise light) as well as of the SoundStar compact siren functions (continuous siren). The MC300A control head controls also the function of high/low intensity siren (day/night mode).

Approvals

LD400/LD410 blue LED lights complies with R65 class 1 European Regulation.

LD400/LD410 led lights are according to UN R10 approval, and IPX9K approved.

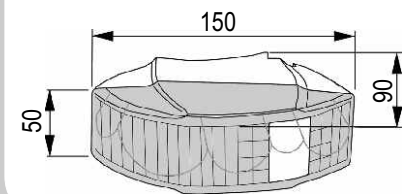
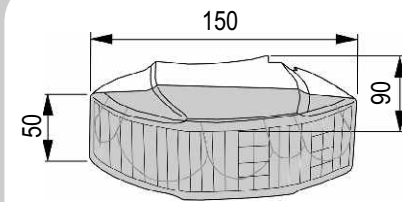
CO400 telescopic pole for blue colour (R65 flashing mode), comply with R65 class 2 European Regulation. CO400 telescopic pole for blue colour (R65 flashing and rotating mode), comply R65 class 1 European Regulation. CO400 telescopic pole for amber and red colours (R65 flashing mode), complies with R65 class 1 European Regulation.

Co400 telescopic pole is according to European Electromagnetic Compatibility Directive 2004/104/CE.

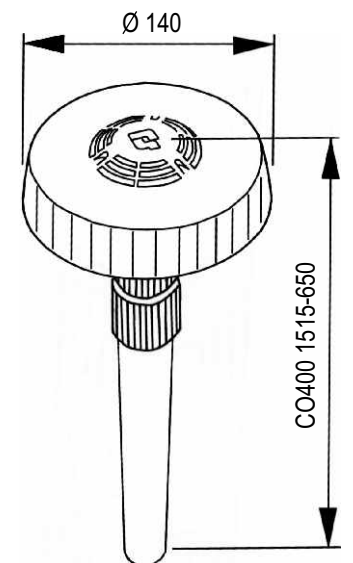
Technical specs

	Foco LD400	Foco LD410	CO400Solaris
Electrical potencial:	12V	12V	12V
Current draw (average) in flashing mode:	blue: 0,25 A amber and red: 0,25A	blue: 0,20 A	blue and red: 1 A Amber: 0,6 A
N° of LEDs:	5 LEDs Solaris	4 LEDs Solaris 1 LED Solaris	Omnidirectional parabolic reflector with 15 LEDs
Weight:	220 g	220 g	1580 g (CO400) 1240 g (CO421)
Dimensions (without mounting brackets):	90 x 50 x 150 mm	90 x 50 x 150 mm	140 x 650 - 1515 mm (3-section pole) 140 x 550 - 760 mm (2-section pole)

LD400/LD410 Solaris in mm



CO400 Solaris in mm



CO421 Solaris in mm

